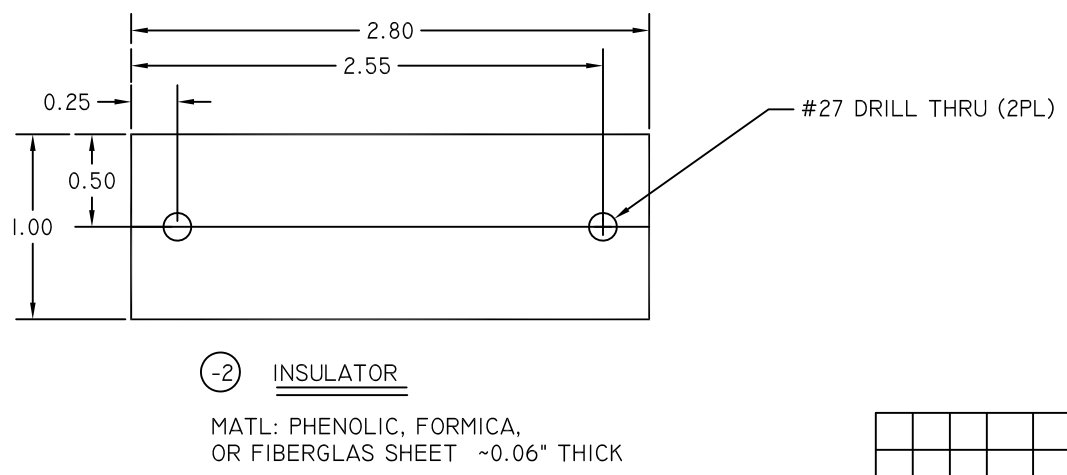
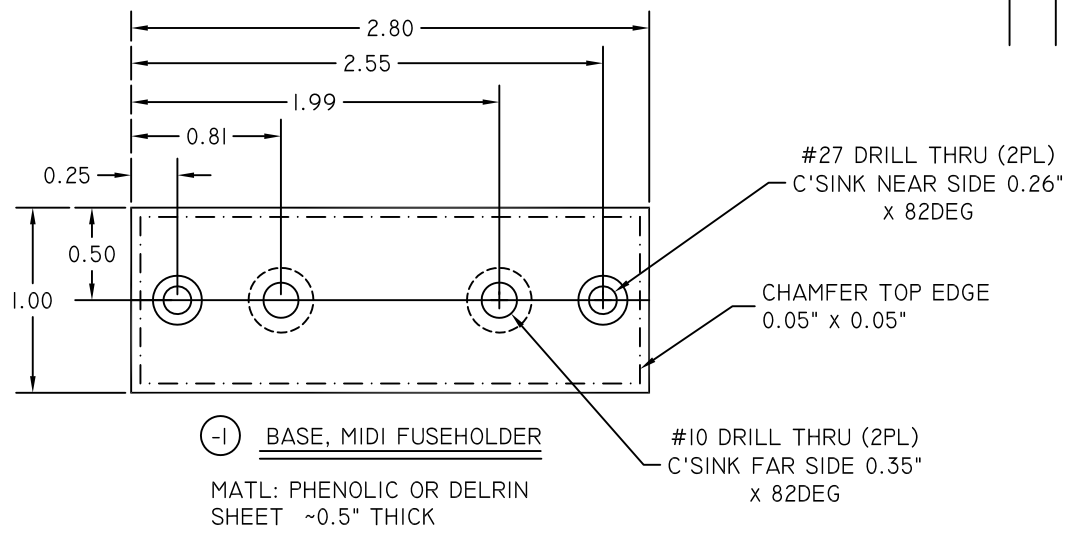


REV	DESCRIPTION OF REVISIONS	DATE/APPROVAL



REV	QTY/ASSY	PROJECT	DATE	PART NO.	DESCRIPTION	MFGR
-2			10-29-15		INSULATOR	
-1					BASE, MIDI FUSE HOLDER	
-5	-3	-2				

			AEROELECTRIC CONNECTION MEDICINE LODGE, KANSAS 67104		
			TITLE BASE, MIDI FUSEHOLDER		
DRAWN	NUCKOLLS	DATE	DRAWING NO.	REVISION	
CHECK			9100-300	DATE	
PROJECT	NUCKOLLS	DATE	SCALE NOTED	W/O	PAGE OF
APPROVED					